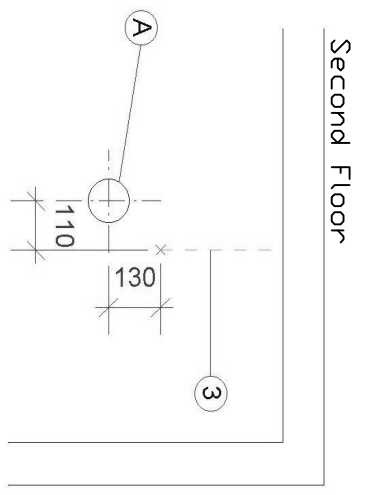
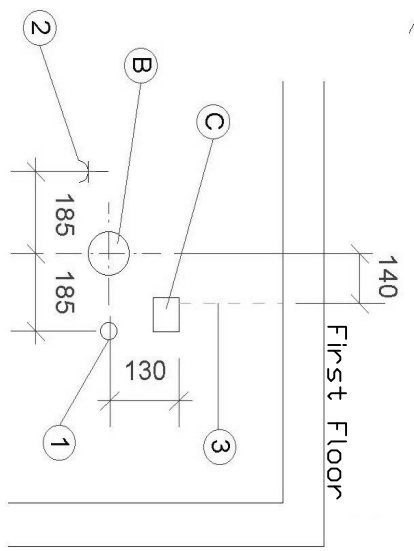


A: Free space for chimney flue (Dim. in accordance with Boley bv)
 B: Free space for Ventilation (ø150mm)
 C: Switchboard (Additional installation by Boley bv)

1: Gas Pipe (Seat of 80mm above floor, Diameter according by Reg. installer)
 2: Build in / wall mounted socket (Single version with Ground Contact, mounted so low as possible)
 3: power Cable in conduit (3x 0,75mm²) (Minimal 1meter (3ft 4Inch) Extra lenght)

Elektric Fume gauge only as extra



Guideline
 Read overally, if not clear please ask Dealer

- All Gas and Wire / must be mounted out of sight (In wall, ceiling, etc)
- All Wire must be minimal 1 M extra of lenght
- The working Standard of Boley Fireplaces is Type specific (Max 20 kW)

Fireplace Free Natural Vent.	Naam REF Orderno datum	Tekno: IT07N
	
	
	
	

